

**FRONT ACCESS**



**VALVE REGULATED  
LEAD ACID BATTERY (V.R.L.A.)**



**ADVANCED ABSORBED GLASS  
MAT TECHNOLOGY (A.G.M.)**



**LONG DURATION BATTERIES  
DESIGNED FOR MAXIMUM LIFE**



The FT series of batteries are ideal for installations where space is at a premium. The front access design permits rapid installation and reduced maintenance time.

### Features and Benefits

- Ten year design life in telecom float service.
- A recognized component of U.L.
- Valve regulated lead acid battery (VRLA).
- Absorbed glass mat technology (AGM) with gas recombination greater than 99%.
- Operates at a low internal pressure.
- Never needs watering; minimal maintenance.
- Shock absorbent thick wall construction.
- Advanced lead tin calcium alloy, reduces grid corrosion and promotes long battery life.
- Flame-retardant ABS plastic case and cover compliant with U.L.1778 having an Oxygen Limiting Index of greater than 28%.
- Cold forged nonporous terminal bushings; eliminate post leakage.
- Thermally welded case to cover bond; eliminates both acid and electrical leaks.
- Over-sized, through the partition inter-cell welds for minimal power loss.
- Flame arresting, low pressure safety release venting system for individual cells, recognized per U.L. 924.
- Measured high vacuum acid fill, reduces electrical variability between cells.
- Terminal and bussbar covers.

### Options

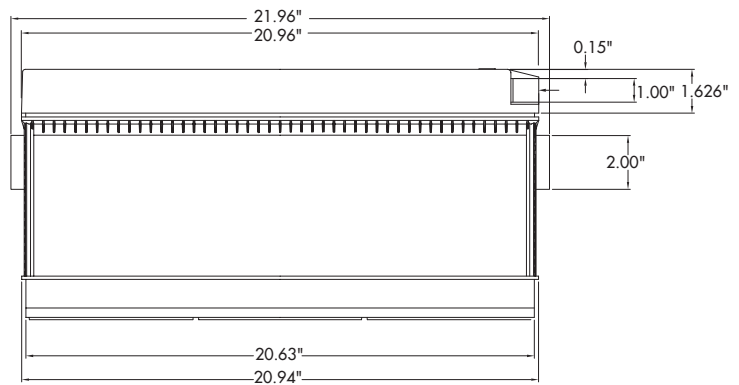
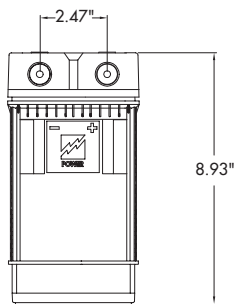
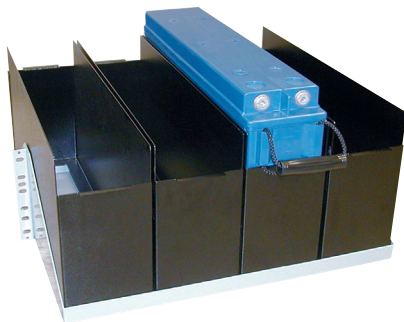
- Custom wire harnesses.
- 10 volt version.
- High temperature retaining sleeves.

### Specifications

Cells / Volts	6 cells / 12 volts
Terminal type	Threaded copper insert, 1/4"
Capacity @ 77°F (25°C)	105 AH (8 hrs) to 1.75 V.P.C.
Operating temperature range:	-40°C/-40°F to 60°C/140°F
Charging voltage / current:	2.27 to 2.30 volts per cell, constant voltage at a maximum current of C/4 amps.
Temperature compensation: Apply for temperature range of 0°C/32°F to 40°C/104°F.	Subtract 3mV/°C/cell or 1.7 mV/°F/cell, above 25°C/77°F. Add 3 mV/°C/cell or 1.7 mV/°F/cell, below 25°C/77°F.
Storage time from a fully charged condition:	6 months at 25°C/77°F. For each 9°C/15°F rise, reduce the storage time by half.
Self discharge rate	Less than 2% per month @ 25°C/77°F
AC ripple from charging source	1.5% peak to peak of float
Overall dimensions (inches, mm)	8.93" H x 21.96" L x 4.86" W 227mm H x 558mm L x 123mm W
Weight	90 lbs / 41 kgs

### Standards and Compliances

- UL Compliant
- NEBS Compliant
- EUROBAT,  
10 year plus classification
- Tested in accordance with:
  - BS6290 PART 4, 1987
  - Bellcore, TR-NWT-000766
  - ANSI, TI: 330



**Hourly Discharge Rates in Amperes @ 77°F (25°C)**

Discharge Hours	End Voltage Per Cell				
	1.95V	1.90V	1.85V	1.80V	1.75V
1	46.93	52.15	57.94	62.04	65.00
1.5	36.68	40.76	45.28	48.48	50.80
2	29.68	32.97	36.64	39.23	41.10
3	21.66	24.07	26.74	28.63	30.00
4	16.46	18.29	20.32	21.76	22.80
5	13.36	14.84	16.49	17.66	18.50
6	11.91	13.24	14.71	15.75	16.50
7	10.25	11.39	12.66	13.55	14.20
8	9.46	10.51	11.68	12.50	13.10
9	8.52	9.47	10.52	11.26	11.80
10	7.73	8.58	9.54	10.21	10.70
11	7.29	8.10	9.00	9.64	10.10
12	6.71	7.46	8.29	8.88	9.30
15	5.56	6.18	6.86	7.35	7.70
20	4.26	4.73	5.26	5.63	5.90
24	3.68	4.09	4.55	4.87	5.10

Rates subject to change without notice.