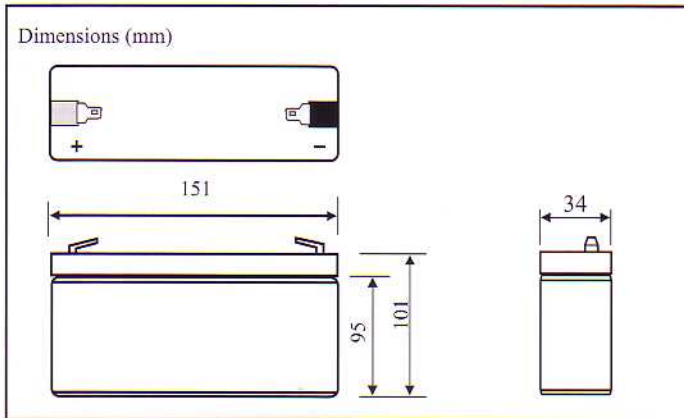
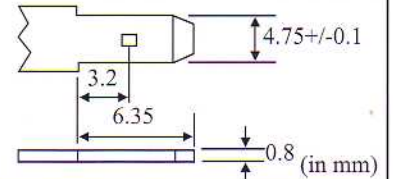


PHYSICAL SPECIFICATION

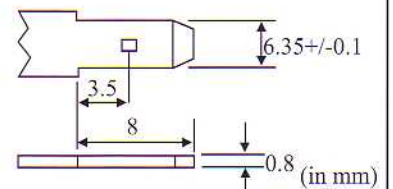
Nominal Voltage		6V
Nominal Capacity(20HR)		7.2AH
Dimension	Length	151±1mm (5.94 inches)
	Width	34±1mm (1.34 inches)
	Container Height	95±1mm (3.74 inches)
	Total Height	101±1mm (3.98 inches)
Weight		Approx 1.29Kg (2.84 lbs)
Standard Terminal		F1-Fasten Tab No.187E



Standard Terminal
F1(Fasten Tab No. 187A)



Optional Terminal F2
(Fasten Tab No.250A)



ELECTRICAL SPECIFICATION

Capacity	20 hour rate(0.35A)	7.00Ah
	10 hour rate(0.70A)	6.65Ah
	5 hour rate(1.12A)	5.59Ah
	1 hour rate(4.2A)	4.20Ah
Capacity affected by temperature	40°C (104°F)	105%
	20°C (68°F)	100%
	0°C (32°F)	85%
Internal Resistance	Fully charged battery(20°C, 68°F)25mΩ	

It is recommended to use constant-voltage charge and recharge immediately after use

Constant-Voltage Charge

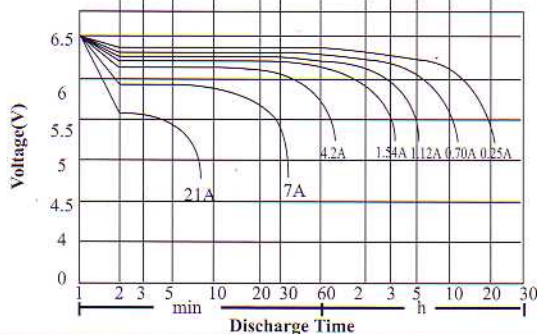
Cycle

Initial Charging Current less than 2.16A
Voltage 7.20-7.50V at 25°C (68°F)
Temperature Coefficient-15mV/°C

Standby

Voltage 6.75-6.90V at 20°C (68°F)
Temperature Coefficient-10mV/°C

Discharge Characteristics fully charged (20°C, 68°F)



Discharge Characteristics (0°C/32°F, 40°C, 104°F)

