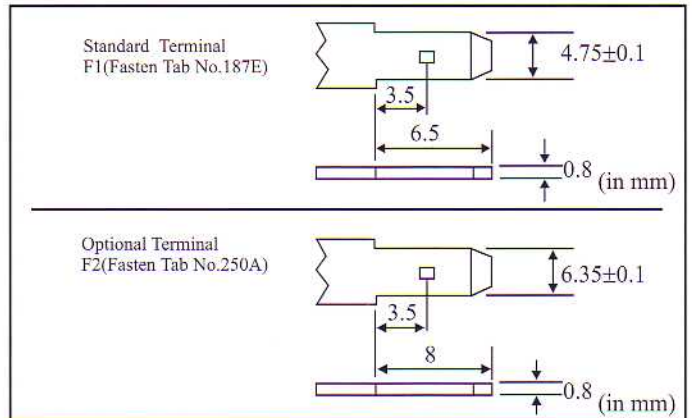
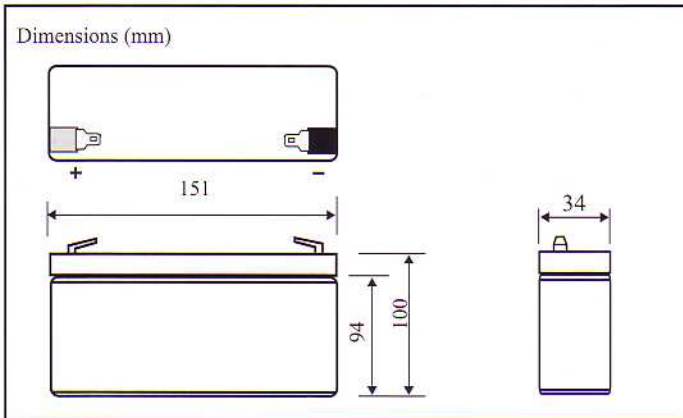


Major Application(s): Emergency Light, Ride-on car etc.

PHYSICAL SPECIFICATION

Nominal Voltage		6V
Nominal Capacity(20HR)		12AH
Dimension	Length	151±1mm (5.94 inches)
	Width	51±1mm (2.0 inches)
	Container Height	94±2mm (3.70 inches)
	Total Height	100±2mm (3.94 inches)
Weight		Approx 1.94Kg (4.27 lbs)
Standard Terminal		F1-Fasten Tab No.187E



ELECTRICAL SPECIFICATION

Capacity	20 hour rate(0.60A)	12.0Ah
	10 hour rate(1.2A)	11.4Ah
	5 hour rate(1.92A)	10.2Ah
	1 hour rate(7.2A)	7.2Ah
Capacity affected by temperature	40°C (104°F)	105%
	20°C (68°F)	100%
	0°C (32°F)	85%
Internal Resistance	Fully charged battery(20°C, 68°F)10mΩ	

It is recommended to use constant-voltage charge and recharge immediately after use

Constant-Voltage Charge	Cycle	Initial Charging Current less than 3.6A Voltage 7.20-7.50V at 20°C (68°F) Temperature Coefficient-15mV/°C
	Standby	Voltage 6.75-6.90V at 20°C (68°F) Temperature Coefficient-10mV/°C

