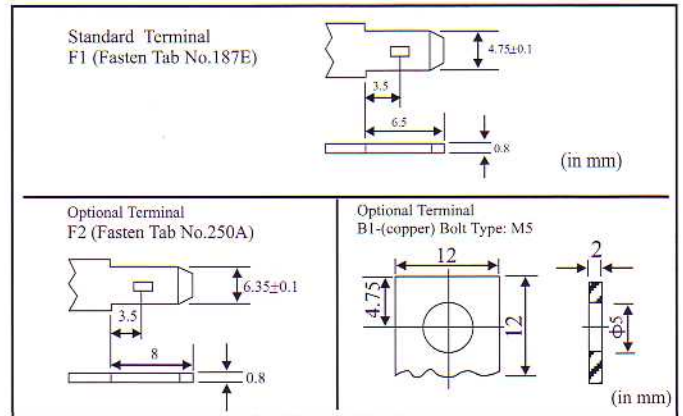
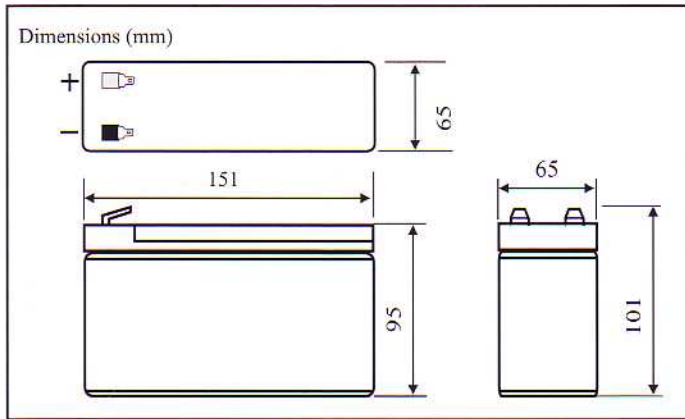


## PHYSICAL SPECIFICATION

Nominal Voltage		12V
Nominal Capacity(20HR)		7.2AH
Dimension	Length	151±1mm (5.94inches)
	Width	65±1mm (2.56 inches)
	Container Height	95±2mm (3.74 inches)
	Total Height	101±2mm (3.98 inches)
Weight		Approx 2.6Kg (5.72 lbs)
Standard Terminal		F1-Fasten Tab No.187E



## ELECTRICAL SPECIFICATION

Capacity	20 hour rate(0.36A)	7.2Ah
	10 hour rate(0.75A)	7.13Ah
	5 hour rate(1.2A)	6.38Ah
	1 hour rate(4.5A)	4.5Ah
Capacity affected by temperature	40°C (104°F)	105%
	20°C (68°F)	100%
	0°C (32°F)	85%
Internal Resistance	Fully charged battery(20°C, 68°F)25mΩ	

It is recommended to use constant-voltage charge and recharge immediately after use		
Constant-Voltage Charge	Cycle	Initial Charging Current less than 2.25A Voltage 14.4V-15.0V at 20°C (68°F) Temperature Coefficient -30mV/°C
	Standby	Voltage 13.5V-13.8V at 20°C (68°F) Temperature Coefficient -20mV/°C

