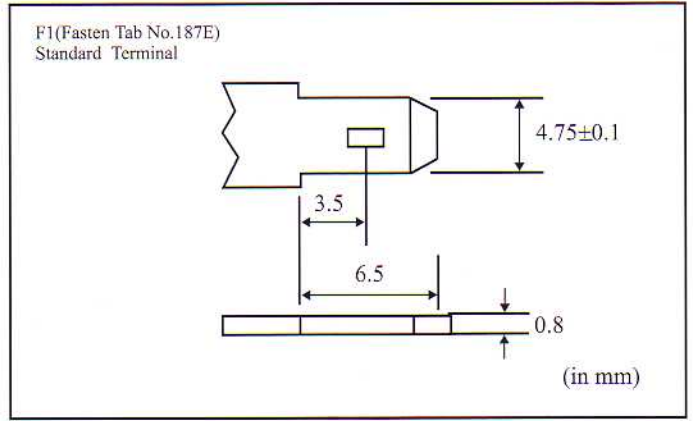
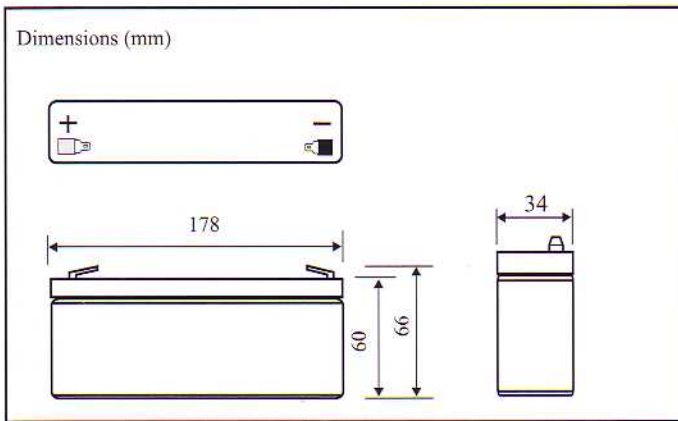


Major Application(s): Security System

## PHYSICAL SPECIFICATION

Nominal Voltage		12V
Nominal Capacity(20HR)		2.2AH
Dimension	Length	178±1mm (7.01inches)
	Width	35±1mm (1.38 inches)
	Container Height	60±2mm (2.36 inches)
	Total Height	66±2mm (2.60 inches)
Weight		Approx 1.0 Kg (2.2 lbs)
Standard Terminal		F1-Fasten Tab No.187E



## ELECTRICAL SPECIFICATION

Capacity	20 hour rate(0.11A)	2.2Ah	It is recommended to use constant-voltage charge and recharge immediately after use
	10 hour rate(0.22A)	2.09Ah	
	5 hour rate(0.35A)	1.87Ah	
	1 hour rate(1.32A)	1.32Ah	
Capacity affected by temperature	40°C (104°F)	105%	Constant-Voltage Charge
	20°C (68°F)	100%	
	0°C (32°F)	85%	Standby
Internal Resistance	Fully charged battery(20°C, 68°F)50mΩ		Initial Charging Current less than 0.66A Voltage 14.4-15V at 20°C (68°F) Temperature Coefficient -30mV/°C
			Voltage 13.5-13.8V at 20°C (68°F) Temperature Coefficient -20mV/°C

